

Fyre-Tec Heavy Series H950 Fixed Lite  
 45 Minute UL Rated  
 Typical Exterior Elevation  
 (Muntins Dependent on RO Size)

### H950 Fixed Lite -- Subframe Installation

DWN BY  
 JDD  
 CK'd by



P.O. Box 278, 701 Centennial Road  
 Wayne, NE 68787

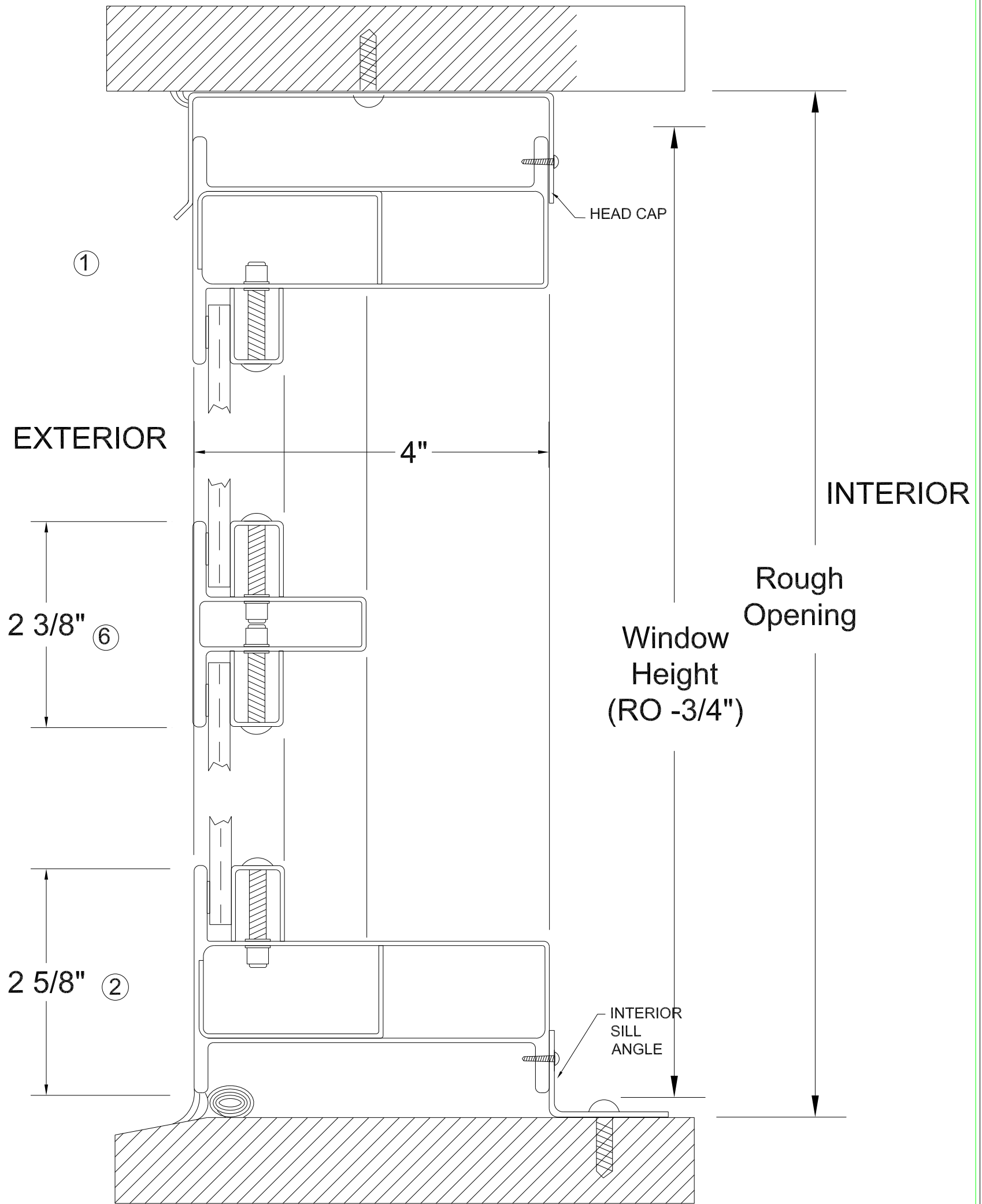
TOLERANCE:  
 1. Fractions  $\pm 1/16$   
 2. Decimals  $\pm .0625$   
 3. Angles  $\pm 1/2$  degree  
 Except as Noted

MATL

SCALE 1:8

PAGE

DWG No.



**Fyre-Tec Heavy Series H950 Fixed Lite  
 Typical Head/Sill Section**

**Head/Sill -- Subframe Installation**

DWN BY  
 JDD  
 CK'd by



P.O. Box 278, 701 Centennial Road  
 Wayne, NE 68787

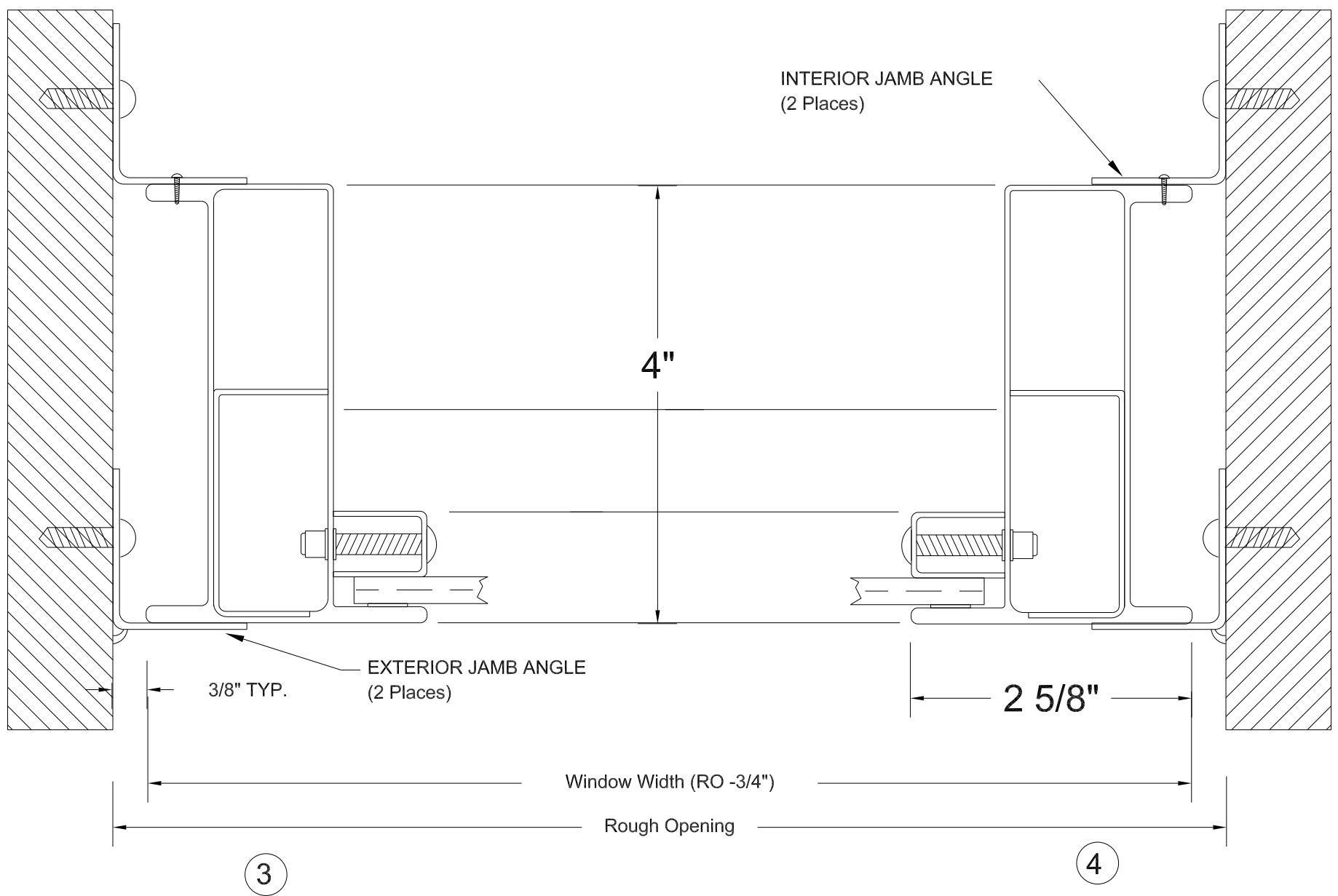
TOLERANCE:  
 1. Fractions  $\pm 1/16$   
 2. Decimals  $\pm .062$   
 3. Angles  $\pm 1/2$  degree  
 Except as Noted

MATL

SCALE 1:1.5

PAGE

DWG No.



## Fyre-Tec Heavy Series H950 Fixed Lite Typical Jamb Section

### Jamb- Subframe Installation Kit

DWN BY  
JDD  
CK'd by



P.O. Box 278, 701 Centennial Road  
Wayne, NE 68787

TOLERANCE:  
1. Fractions  $\pm 1/16$   
2. Decimals  $\pm .0625$   
3. Angles  $\pm 1/2$  degree  
Except as Noted

MAT'L

SCALE 1:1.5

PAGE DWG No.